



# Two Stage Level Threshold Drainage System\*

## Project information Sheet

Please complete the following information so that our team can accurately quote and offer further assistance to your project. You may like to include a specified drawing when emailing to us.

Contact Name: \_\_\_\_\_ Contact Number: \_\_\_\_\_

Company: \_\_\_\_\_ Email: \_\_\_\_\_

Address: \_\_\_\_\_

Project Name: \_\_\_\_\_

Site Address: \_\_\_\_\_

Date required: \_\_\_\_\_

## Grate Design:



Brooklyn



Manhattan



Broadway

We can also custom make grate patterns to suit your design specifications

## Measurements:

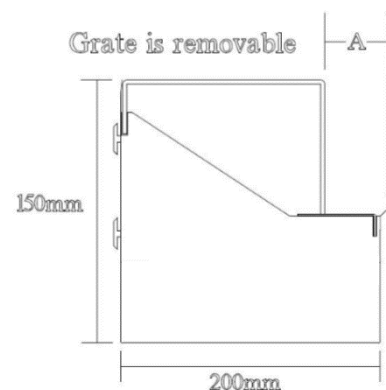
Width of recess (A): \_\_\_\_\_

Overall width of channel: \_\_\_\_\_

Overall length of channel: \_\_\_\_\_

## Depth:

Constant Depth  Inbuilt Fall



\*NZ/AUS Patent